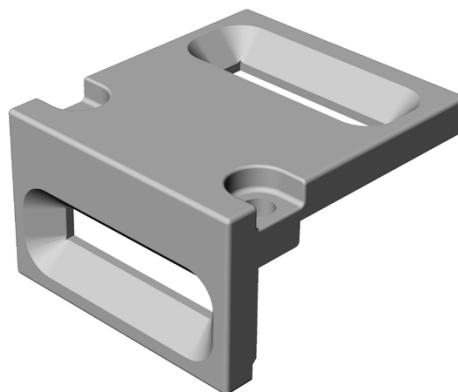


EINFUEHRTRICHTER-S (Order no. 093157)

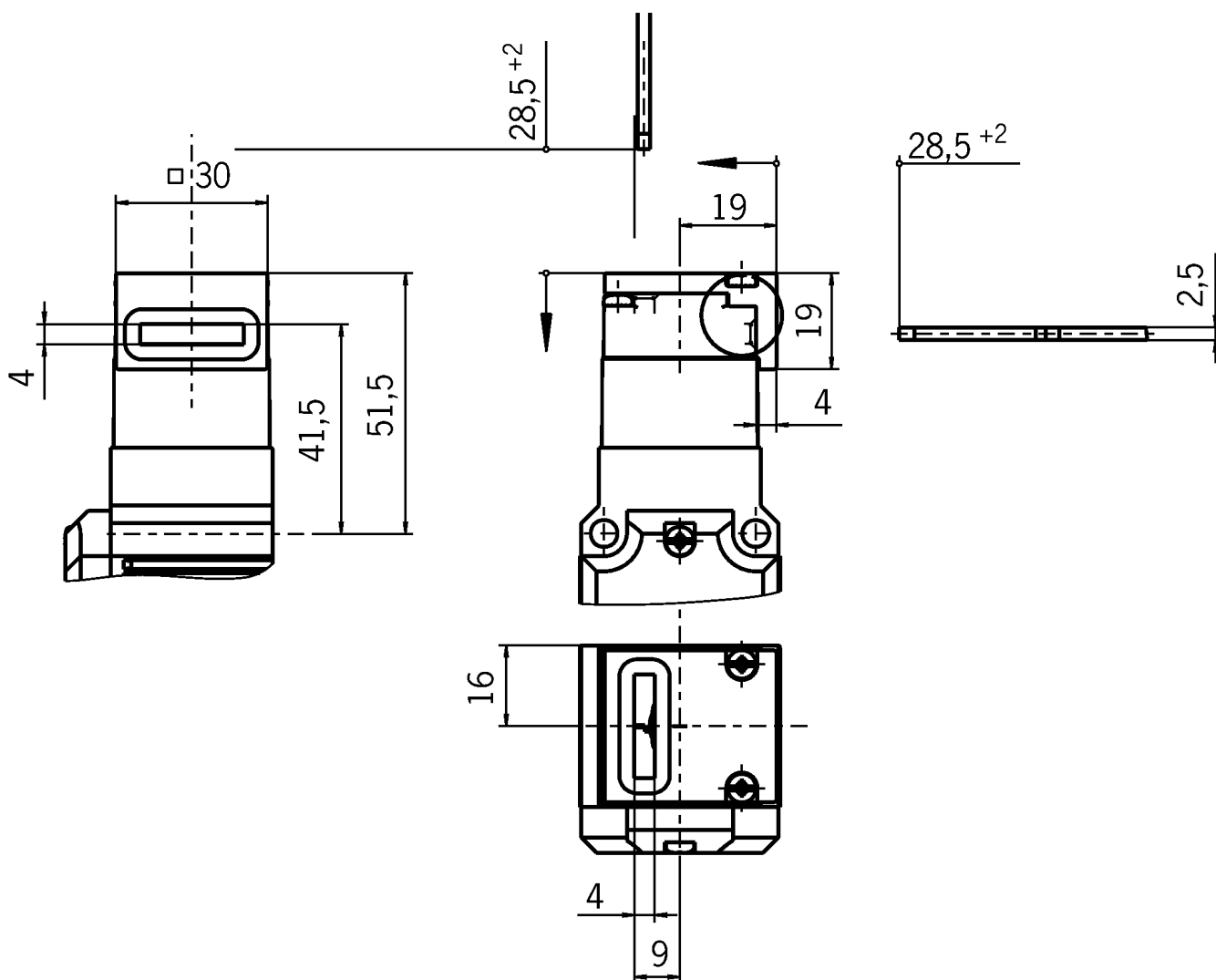
Insertion funnel for safety switch SGP/STA/STP/STM/SGA



If an insertion funnel is used, even inexactly positioned actuators are inserted reliably in the actuating head due to the large opening funnel, thus protecting the safety switch against mechanical influences.

- ▶ The insertion funnel for STP can only be used in conjunction with an actuator for insertion funnel

Dimensional drawings



Technical data

Mechanical values and environment

Material	Stainless steel
----------	-----------------

Downloads

All documentation for this material can be found on our website:

<https://www.euchner.de/en-us/a/093157/?#downloads-tab>

Ordering data

Ordernumber	093157
Item designation	EINFUEHRTRICHTER-S
Gross weight	0,04kg
Customs tariff number	85389099990

Accessories

Actuator

Actuator S for safety switch SGA/SGP/STA/STP/STM for insertion funnel



095739

BETAETIGER-S-GT-LN

- ▶ Two safety screws included
- ▶ Actuator with rubber bush

Actuator S, bent, for safety switch SGA/SGP/STA/STP/STM for insertion funnel



095741

BETAETIGER-S-WQT-LN

- ▶ Two safety screws included
- ▶ Actuator with rubber bush

Hinged actuator S, left/right, for safety switch SGA/SGP/STA/STP/STM for insertion funnel



096844

RADIUSBETAETIGER-S-LR-LN

- ▶ Actuator made of stainless steel
- ▶ Two stainless-steel safety screws per actuator
- ▶ For doors hinged on the right and left

Hinged actuator S, top/bottom, for safety switch SGA/SGP/STA/STP/STM for insertion funnel



096697

RADIUSBETAETIGER-S-OU-LN

- ▶ Actuator made of stainless steel
- ▶ Two stainless-steel safety screws per actuator
- ▶ For top-hinged and bottom-hinged doors